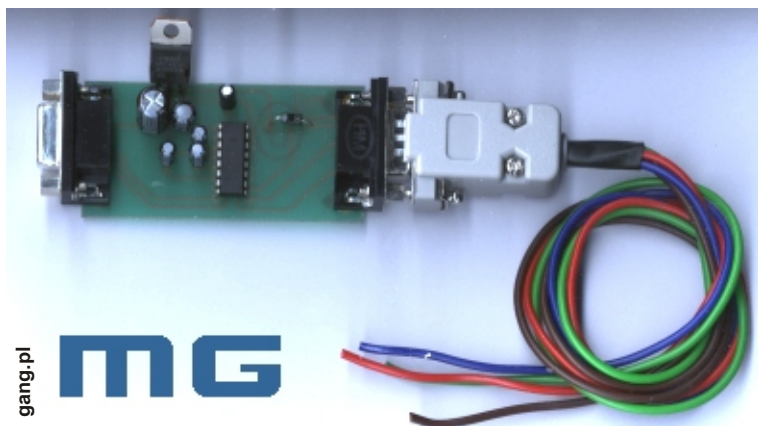


interface MG



gang.pl
MG

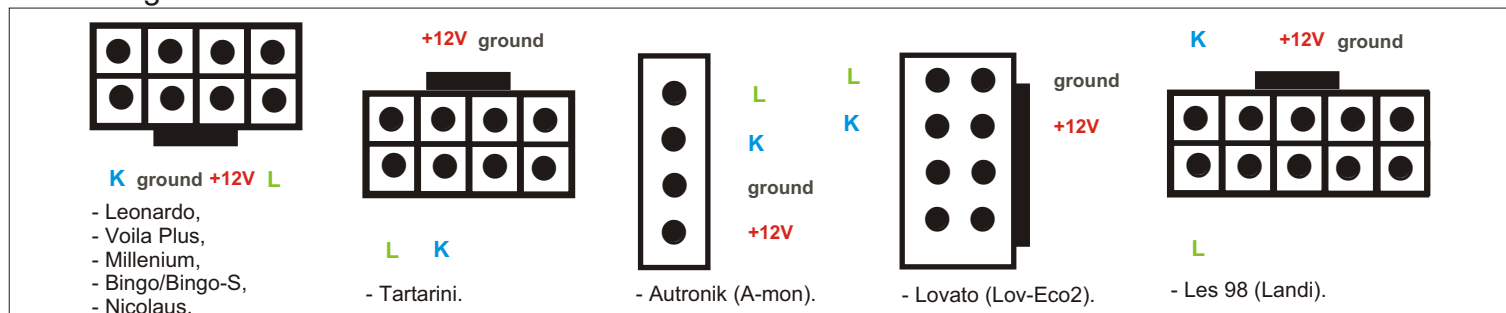
Rx,Tx RECEIVER/TRANSMITTER



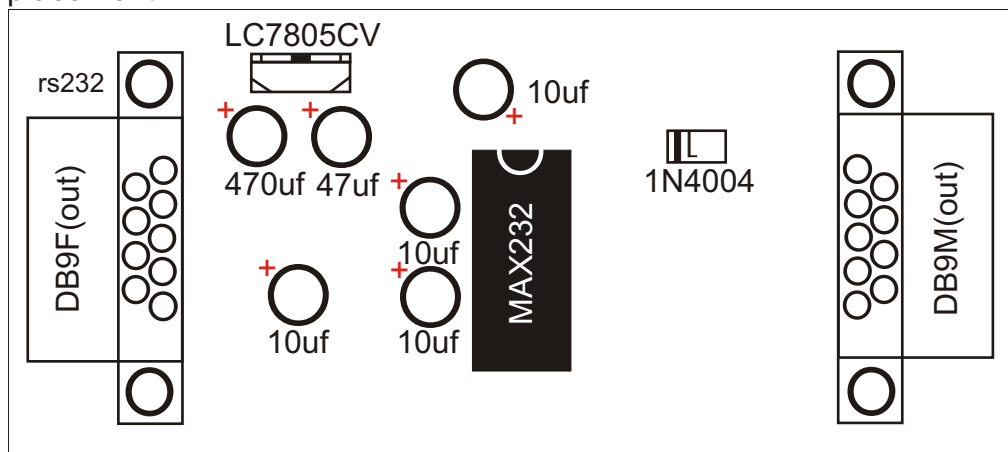
brown - ground
red - power +12 V
green - L line (Rx out)
blue - K line (Tx in)

PC software system - DOS, Windows

connecting LPG



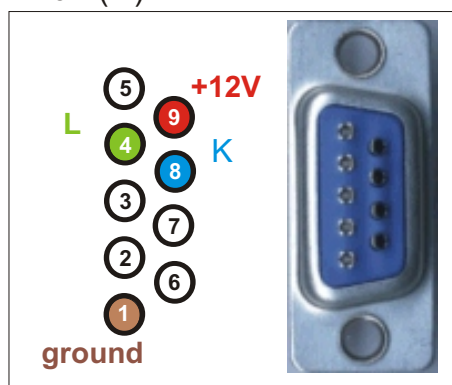
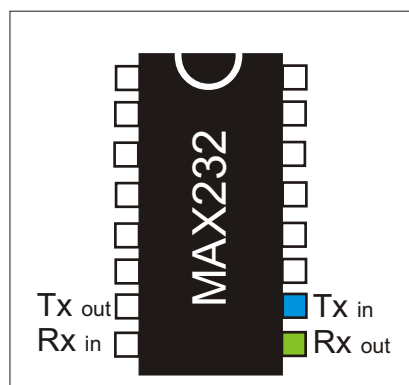
placement



elements

P	S	TYPE	NOTE
1	U ₁	MAX232	
1	D ₁	1N4004	
1	ST ₁	LC7805CV	
1	C ₁	470uf	
1	C ₂	47uf	
4	C _{3,4,5,6}	10uf	
2	DB9F	in/out	female
1	DB9M	out	male

DB9F (in)



board layout

